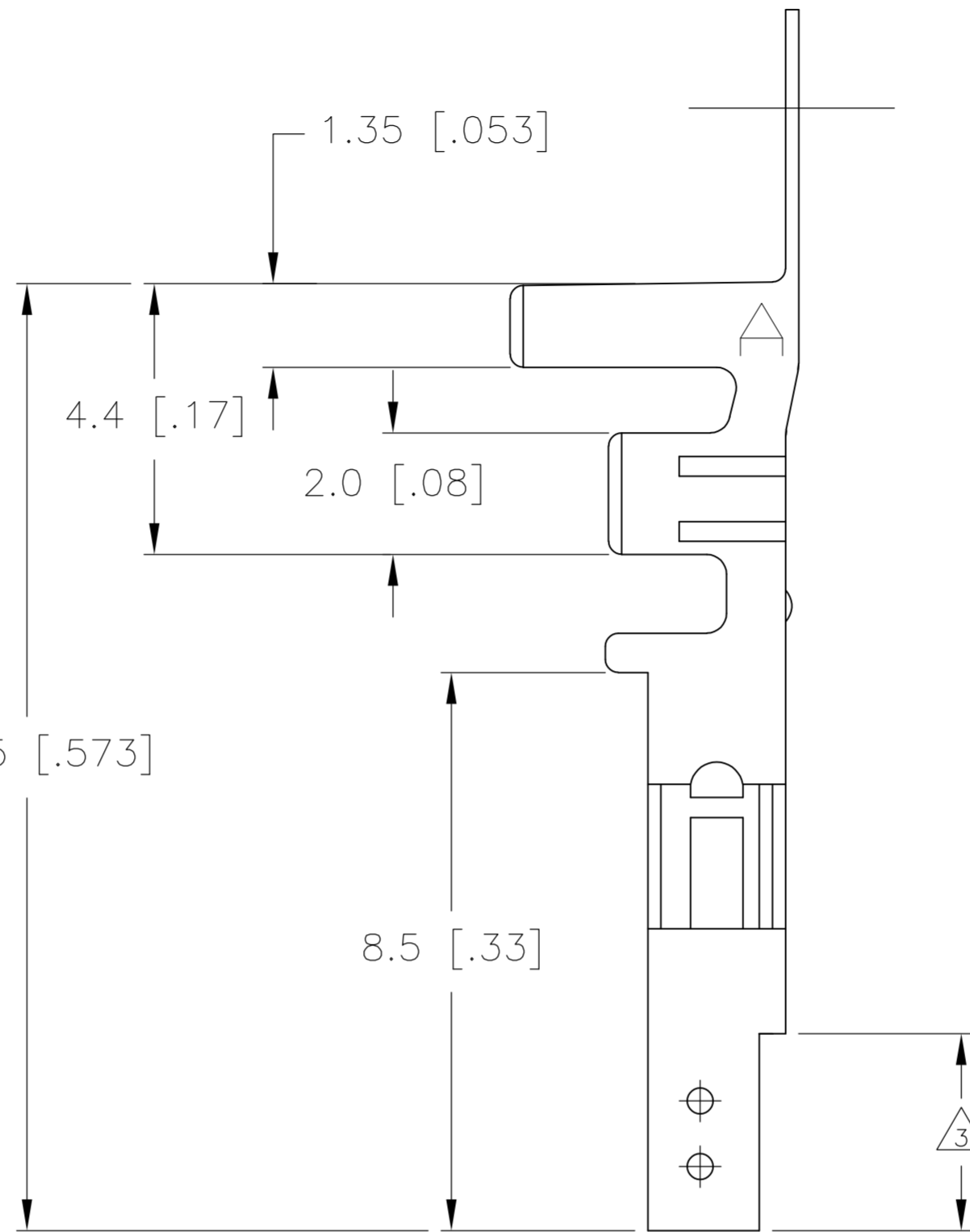
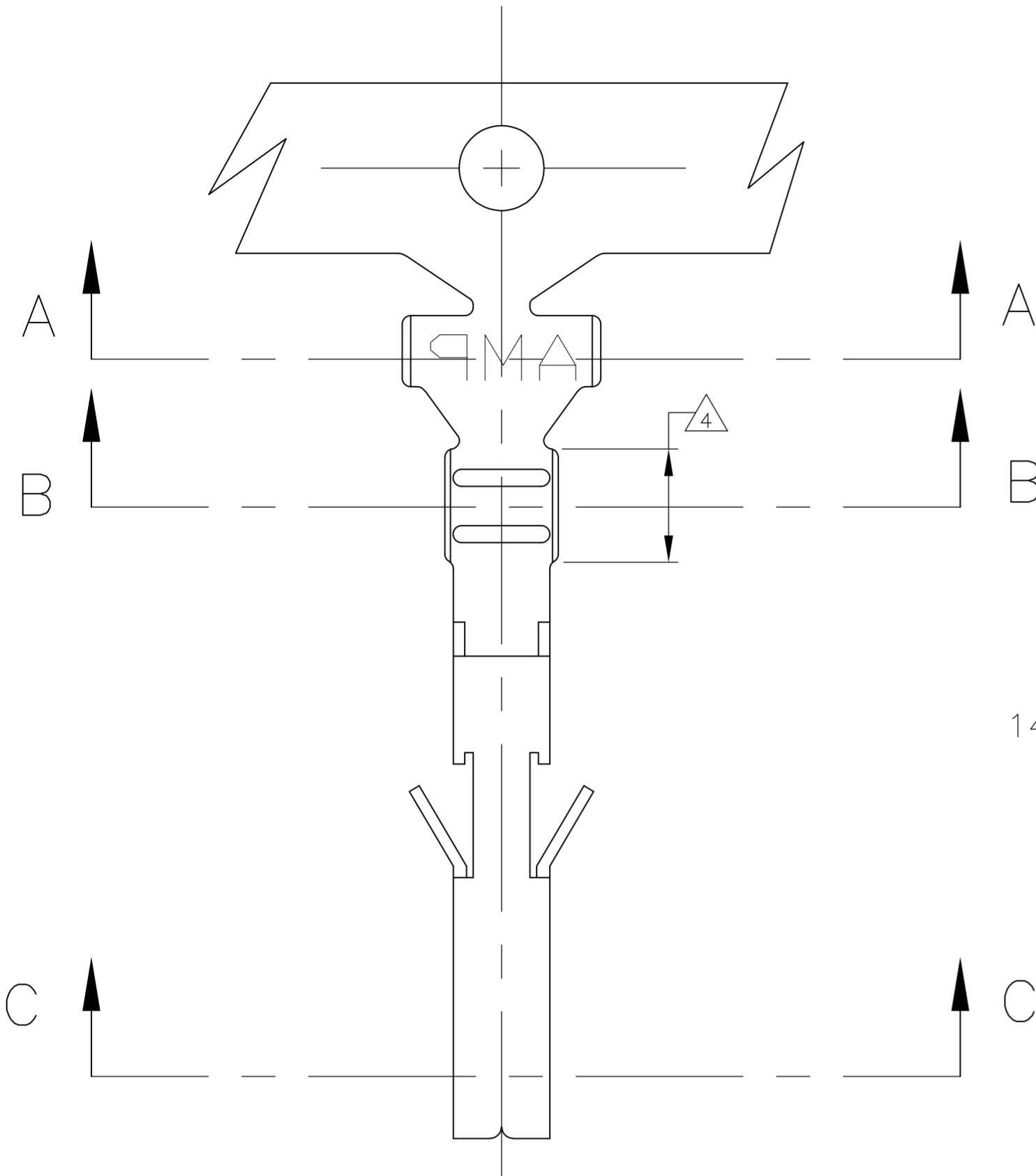
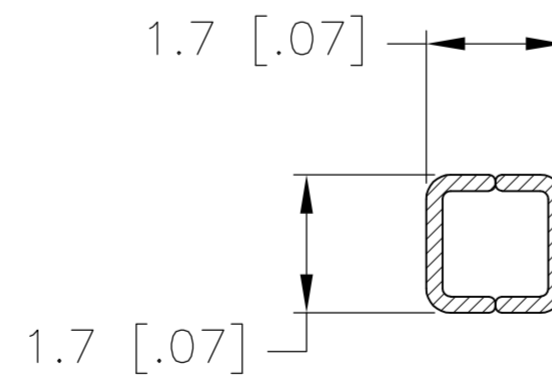
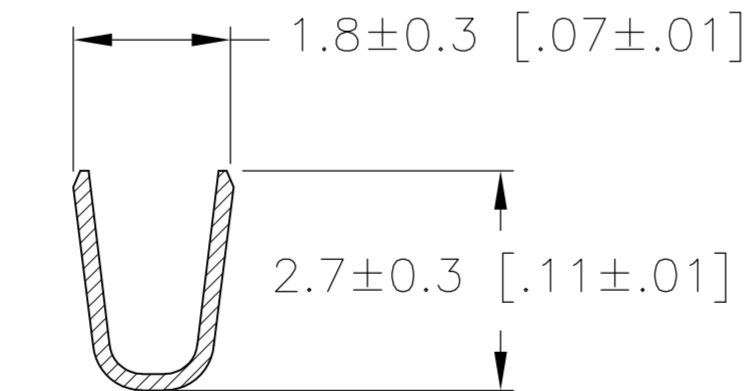
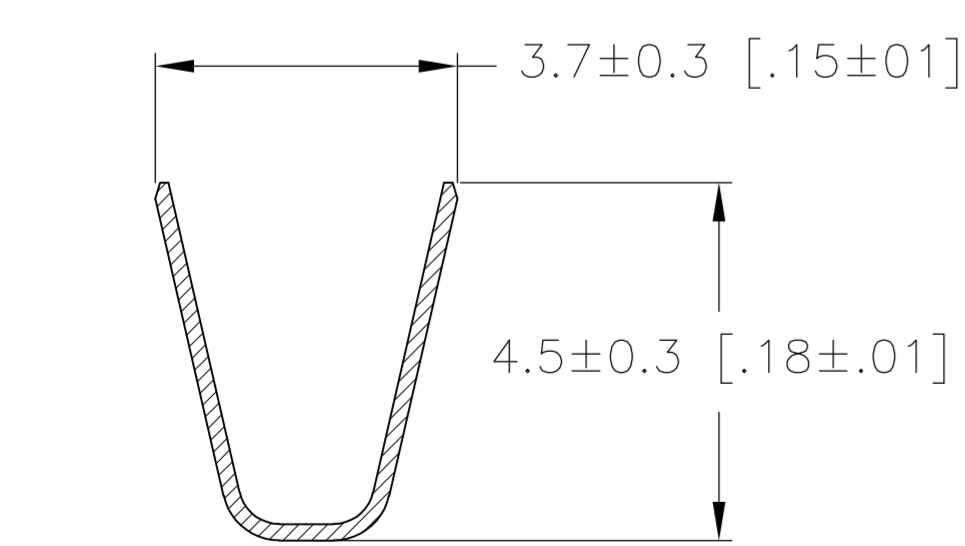


THIS DRAWING IS UNPUBLISHED. RELEASED FOR PUBLICATION
 © COPYRIGHT BY TYCO ELECTRONICS CORPORATION. ALL RIGHTS RESERVED.

LOC	DIST	REVISIONS			
P	LTR	DESCRIPTION	DATE	DWN	APVD
CM	00	F1	REVISED PER ECO-08-011858	14MAY08	HMR CC



- 1 WIRE RANGE: 0.32-0.82mm² (22-18 AWG).
- 2 INSULATION RANGE: 1.50 - 3.10 DIA.
- 3 FINISH: 0.76μm MIN GOLD OVER 1.27μm MIN NICKEL REQUIRED ON INNER SURFACE, PERMITTED ON OUTER SURFACE.
- 4 FINISH: 2.54μm MIN PRE-TIN ON ALL SURFACES IN THIS AREA.



SECTION B-B

SECTION C-C

SECTION A-A

GOLD	3 4	PHOS. BRZ.	794956-4
PRE-TIN		PHOS. BRZ.	794956-3
GOLD	3 4	BRASS	794956-2
PRE-TIN		BRASS	794956-1
FINISH:		MATERIAL:	PART NO.

METRIC

DIMENSIONS:		TOLERANCES UNLESS OTHERWISE SPECIFIED:		MATERIAL		WEIGHT		SCALE		SHEET		REV	
INCHES		±		FINISH		CUSTOMER DRAWING		10:1		1 OF 1		F1	
0 PLC ±		± 0.25 [.010]											
1 PLC ±		± 0.15 [.004]											
2 PLC ±		± 0.050 [.0020]											
3 PLC ±		±											
4 PLC ±													
ANGLES ±													